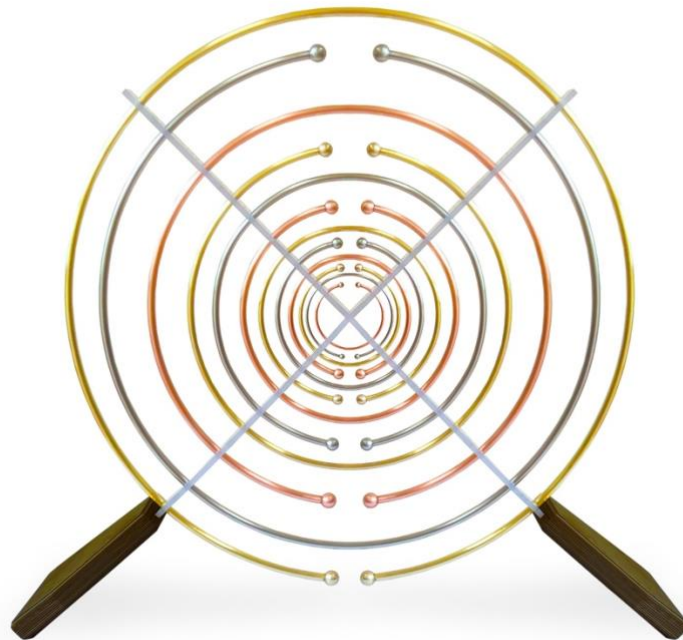




Meditech Europe

Operating Manual

MWO ACCESSORIES (for MultiWave Oscillator)



Translation of original manual
Version EN V1 2024/01



Meditech Europe

Live in Harmony

Project details	: January 2024
Trade name	: Meditech Europe B.V.
Product name	: MWO accessories (for MultiWave Oscillator)
Product number	: various
Model	: various
Power	: various
Manufacturer	: Meditech Europe B.V.
Author	: J.K.
Address	: Daalder 14 8305 BE Emmeloord The Netherlands Tel.: +31 (0)527 292331 www.meditecheurope.nl info@meditecheurope.nl VAT NL859592480B01
Revision-index	: V1
Revision date	: 2024/01



Contents

1	About this Operating Manual	5
1.1	General	5
1.2	Warning signs	5
2	General safety instructions	6
2.1	Principles	6
2.2	Intended use	6
2.3	Staff selection and qualification	6
2.4	Safety instructions	7
2.5	Expansion and conversion	7
2.6	Emergency measures	7
3	Scope of delivery	8
4	Technical description	9
4.1	Overview	9
4.2	Interfaces	9
4.3	Type plates	9
5	Transport	10
5.1	Prior to transport	10
5.2	Unpacking the products	10
6	Operation	11
6.1	Connecting the product	11
6.2	Operation of the MultiWave Oscillator with connected accessories	13
6.3	Disconnecting the product	13
7	Connection options	14



7.1	Connection option 1.....	14
7.2	Connection option 2.....	15
7.3	Connection option 3.....	16
7.4	Connection option 4.....	17
7.5	Connection option 5.....	18
7.6	Connection option 6.....	19
7.7	Connection option 7.....	20
7.8	Connection option 8.....	21
7.9	Connection option 9.....	22
7.10	Connection option 10	23
8	Assistance with malfunctions.....	24
9	Decommissioning.....	25
10	Warranty	26
11	EC Declaration of Conformity	27



1 About this Operating Manual

This operating manual should be read before using the MWO-accessories for the first time, or when carrying out work on it as an authorised technician. Please contact Meditech Europe if you have any questions.

Please pay particular attention to chapter 2, "General Safety Instructions".

1.1 General

The instructions in this manual are intended to familiarise you with the MWO accessories and ensure that you can make the most of the features.

The operating manual contains important notes for the safe and correct operation and use of the MWO accessories. This contributes to:

- Avoiding hazards
- Avoiding repair costs and downtime
- Extending the reliability and service life of the product

These instructions should be read and applied by any person authorised to work on the MWO accessories and over 21 years of age.

In addition to this operating manual, the regulations on accident prevention and environmental protection as applicable in the respective country of use and location of application must be observed.

1.2 Warning signs

Special safety instructions are posted in the relevant places. They can be recognised by the following symbol:



Non-ionising radiation

This means the product emits low-energy radiation from radio waves and radio frequencies.



2 General safety instructions

2.1 Principles

When in doubt about the proper setting, please always contact Meditech Europe.

Do not disassemble the products yourself. Only a specialised Meditech Europe employee is allowed to disassemble the device. The warranty is void if the product has been disassembled by anyone other than Meditech Europe specialists.

The MWO accessories can create frequencies. No rights can be derived from the use of the MWO accessories, nor can any claims be made as a result of its use. Use of the MWO accessories is at the sole risk and expense of the user.

Cleaning the MWO accessories: disconnect the product from the MultiWave Oscillator. Use a dry cloth. For stubborn stains, a damp cloth can be used. Ensure that the connectors do not get wet. For cleaning copper, copper polish can be used if necessary.

If in doubt about the use, switching on and/or setting of the MWO-accessories, please always contact Meditech Europe BV by phone: +31 (0)527 292331 or e-mail: info@meditecheurope.nl.

Meditech Europe is not liable for misuse, incorrect use or any damage caused by any use other than that described in this manual. In case of disputes, Dutch law will apply.

2.2 Intended use

The MWO accessories can create frequencies.

2.3 Staff selection and qualification

The MWO accessories are manufactured by Meditech Europe in Emmeloord (NL). Meditech Europe uses only well-trained employees.



2.4 Safety instructions

Do not go near the switched-on MWO accessories if you have a pacemaker, an Implantable Cardioverter Defibrillator (ICD), an insulin pump or hearing aids.

All accessories available from Meditech Europe can be connected to the MultiWave Oscillator at the customer's own risk.

The MultiWave Oscillator with MWO accessories must not operate unsupervised.

Always use the MWO accessories in a dry and well-ventilated area.

Place the MWO accessories so that there is at least 30 centimetres of clearance on all sides, and to ensure that other materials cannot come into contact with the MWO accessories.

Make sure that the MWO accessories do not come into contact with heat sources such as fireplaces, gas stoves, open flames, etc.

All cords should hang freely and not come into contact with metal, MWO accessories, cord parts or the MultiWave Oscillator.

Do not use the MWO accessories outdoors.

Meditech Europe is not liable for misuse, incorrect use or any damage caused by any use other than that described in this manual.

Using accessories not supplied by Meditech Europe will void the warranty.

The availability of accessories may change. For up-to-date information, visit our website: www.meditecheurope.nl

2.5 Expansion and conversion

The MultiWave Oscillator must be de-energised if the MWO accessories are connected, or if they are removed.

2.6 Emergency measures

When fire breaks out, use a fire extinguisher suitable for electronic equipment.



3 Scope of delivery

Various MWO accessories are available.

Images of the various types are shown on Meditech Europe's website.

Visit our website for a complete overview: www.meditech europe.nl



4 Technical description

4.1 Overview

The MWO accessories can create frequencies when connected to the MultiWave Oscillator.

4.2 Interfaces

Accessories can be connected to the MultiWave Oscillator using cords. The device conducts voltage through the cords.

4.3 Type plates



Fig. 4.3 Type plate example - varies by accessory.

Manufacturer	: Meditech Europe
Details MWO accessories	: Type and power
Batch number	: Unique per batch



5 Transport

MWO accessories should be handled with care.

5.1 Prior to transport

Meditech Europe packs MWO accessories carefully when they are to be transported or collected.

5.2 Unpacking the products

The MWO accessories should be unpacked carefully, without using sharp tools.



6 Operation

6.1 Connecting the product

Ensure the MultiWave Oscillator is not connected to the power outlet.

Connect the cords to the connectors of the MultiWave Oscillator. Ensure that both outputs of the MWO are used. When used on only one, or no output at all, the MWO cannot release its power and may be damaged.

Connect the cord to the MWO accessory if the cord is supplied separately.

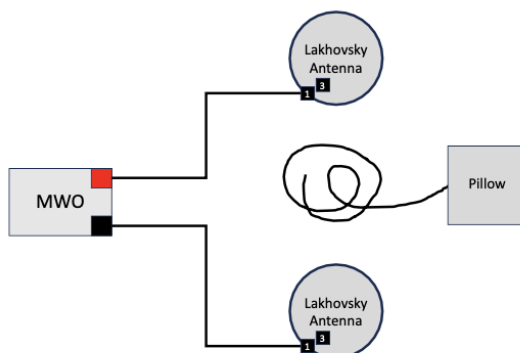
Antenna: metal can affect the energy field. Make sure the space between the antennae is between 100 and 180 cm.

Use a fluorescent tube to make the energy field of the antennae visible. It also reveals the energy field of the cushion and the Printplate Antenna. Turn on the MWO and hold the tube between the antennae (or close to the cushion). The fluorescent tube can also be used to see if the energy field is constant and even, or flickering. By adjusting the Fine Tuning, you can literally see the energy field change.





Cushion: for adding the cushion without reducing the power of the antennae. Place the cushion on the ground between the antennae without connecting the cushion's cable. The energy field of the antennae will activate the cushion, as the cable will "absorb" the energy between the antennae.



Printplate Antenna: keep 30cm distance between the subject and the Printplate Antenna.

Rife Tube: the plug of the Rife Tube can be inserted near the antenna plug, in the opening in the plug that goes from the MWO to the antennae. The power is divided between the Rife Tube and the antennae.

Note: the efficacy of both accessories will decrease!





6.2 Operation of the MultiWave Oscillator with connected accessories

The main knobs on the MWO are Fine Tuning and Pulse Strength. With these, you adjust the MWO's power and regulate the machine's sound.

With the Pulse Strength, you literally "open" the spark bridge, causing the sound of mechanical sparks. The further you turn the Pulse Strength clockwise, the wider the spark bridge is opened, the louder the sparks sound.

Please note that the Pulse Strength may only be rotated clockwise! So if the MWO is too loud and you want to turn it down, turn the Pulse Strength knob clockwise, just until the spark bridge reopens.

Fine Tuning determines the "rhythm" of the sparks. The sound of the sparks (the sound of the mechanical sparks) will change if you set the Fine Tuning to a higher level. The effect of this knob is to make the energy field calm and stable. The sound of the spark gap should be constant, without too many lapses.

6.3 Disconnecting the product

Make sure the MultiWave Oscillator is not connected to the mains outlet.

Unplug the cords from the connectors of the MultiWave Oscillator.

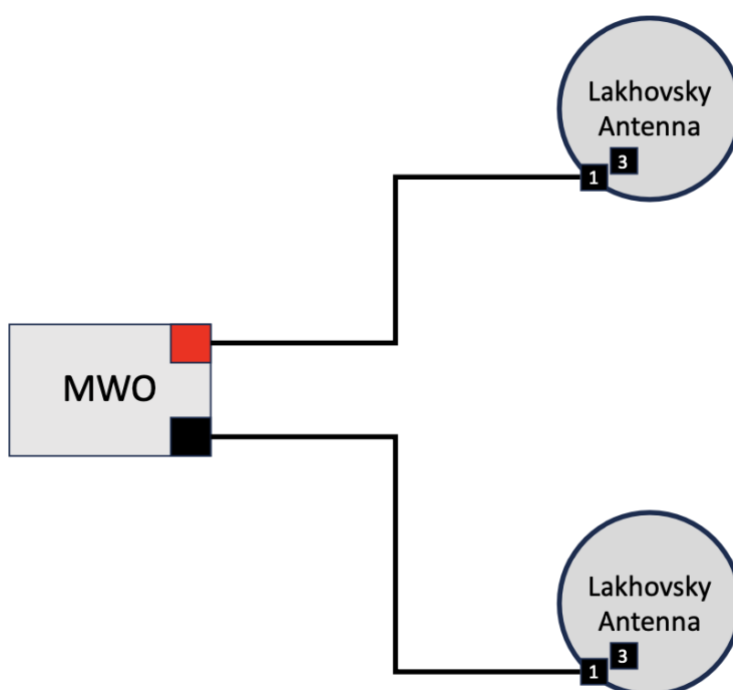


7 Connection options

7.1 Connection option 1

Required:

- MWO
- Antennae
- 1 Cord set



Effect: connect the MWO to the outer ring of the antennae (1). The strongest possible energy field coming from the antennae. The full spectrum of frequencies is available.

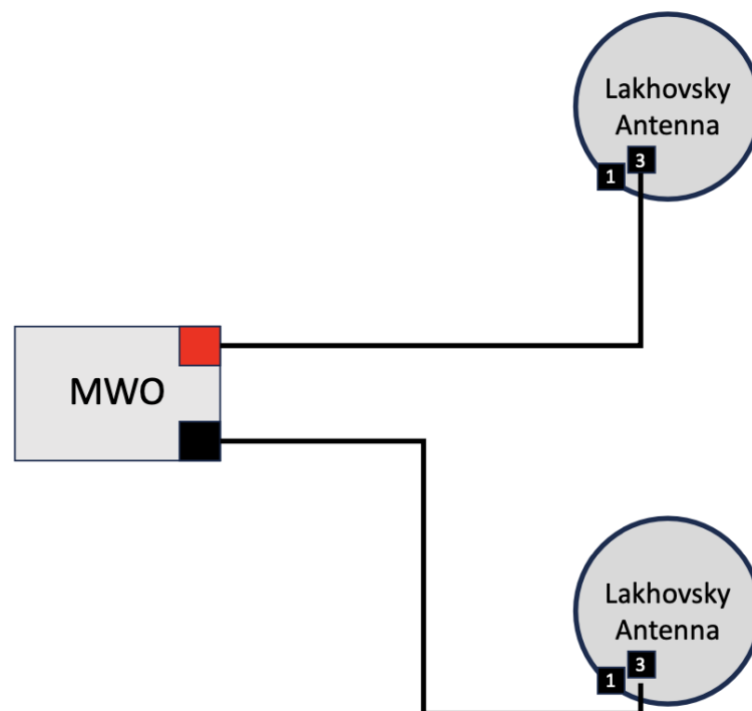
MWO setting: ensure the MWO settings are low. The energy field is active even then.



7.2 Connection option 2

Required:

- MWO
- Antennae
- 1 Cord set



Effect: connect the MWO to the 3rd ring of the antennae (3). A slightly softer energy field coming from the antennae. The spectrum of frequencies remains available, the lower frequency range is less intense.

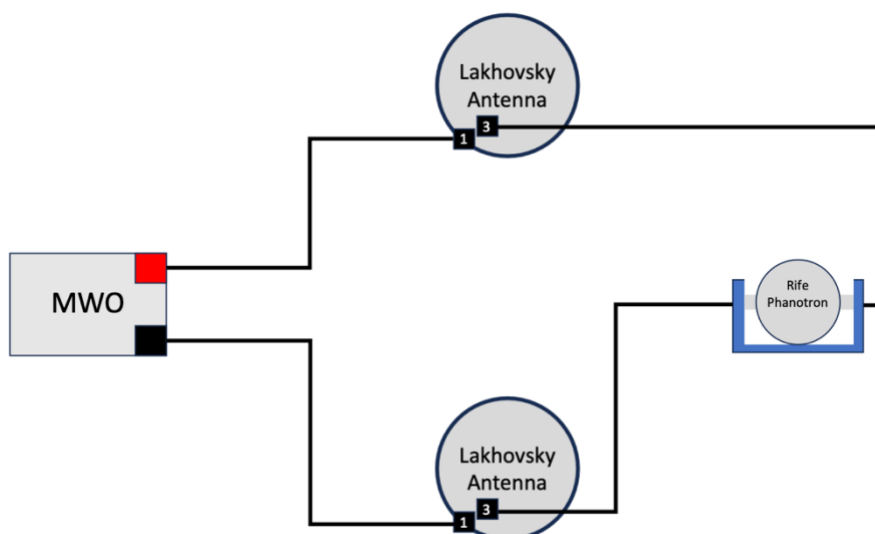
MWO setting: ensure the MWO settings are low. The energy field is active even then.



7.3 Connection option 3

Required:

- MWO
- Antennae
- Rife Phanotron
- 2 Cord sets



Effect: Connect the MWO to the outer ring of antennae and the Rife Phanotron to the 3rd ring of antennae. The energy field coming from the antennae is supplemented by the Rife frequencies. The full spectrum of frequencies is available within the antennae, while the Rife Phanotron covers the room where it stands. This is the strongest possible setup.

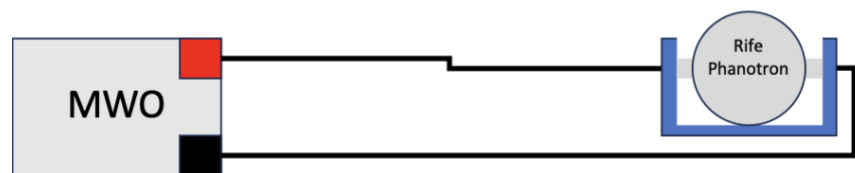
MWO setting: the MWO can be set to half its power. This keeps the antennae active while also activating the Rife Phanotron.



7.4 Connection option 4

Required:

- MWO
- Rife Phanotron
- 1 Cord set



Effect: connect the MWO to both terminals of the Rife Phanotron. The Rife Phanotron is now fully activated and receiving full power from the MWO. The frequencies are now sent into the environment where it stands, causing everything to resonate.

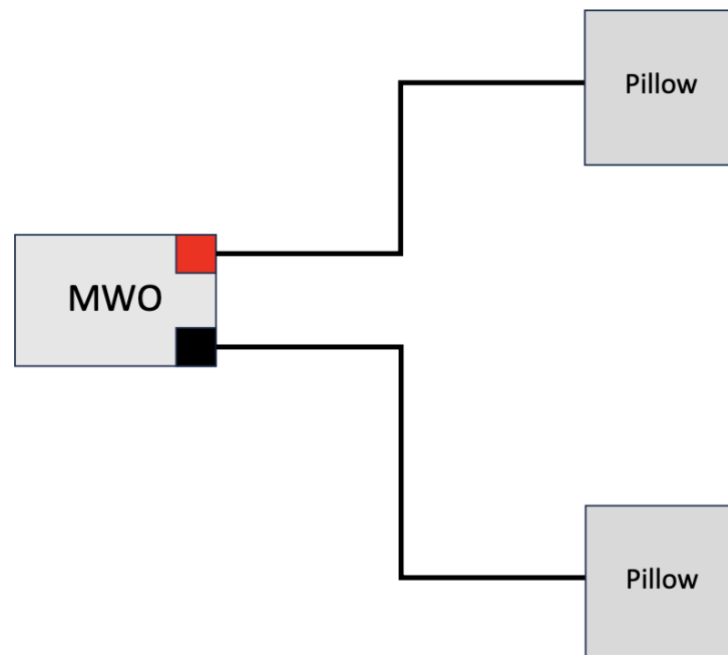
MWO setting: the MWO can be set to half its power. This allows the Rife Phanotron to spread its frequencies optimally.



7.5 Connection option 5

Required:

- MWO
- 2 Cushions



Effect: connect both cushions to the MWO. A calming and gentle local energy field is emitted by the cushions.

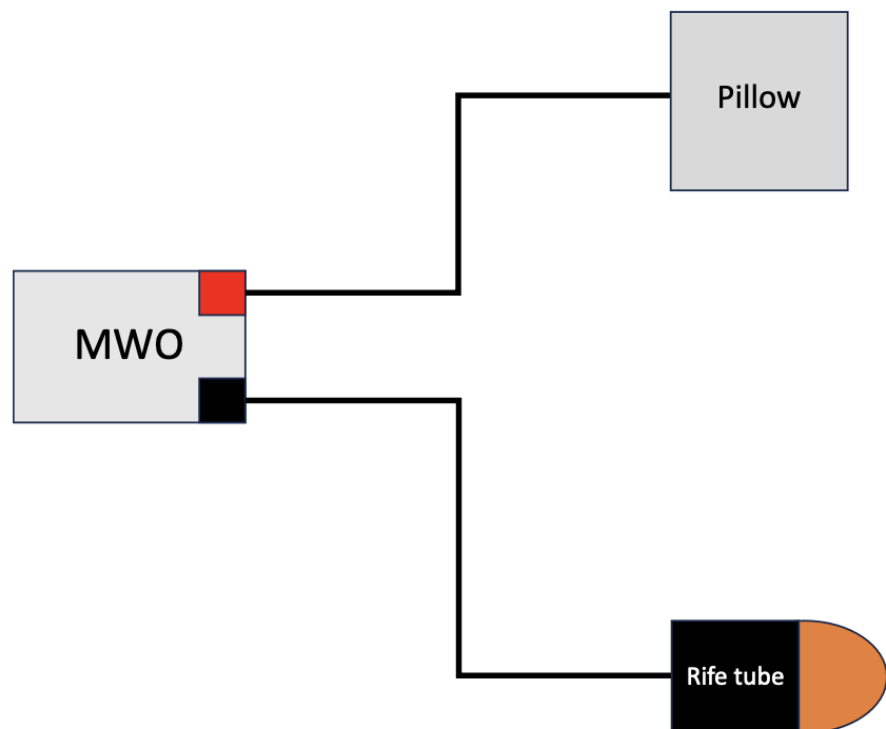
MWO setting: make sure the MWO settings are low. The cushion needs a very low energy input from the MWO to emit its energy field.



7.6 Connection option 6

Required:

- MWO
- 1 Cushion
- 1 Rife Tube



Effect: connect a cushion and a Rife Tube to the MWO. It does not matter which output is used for which accessory. It is a very powerful setup for intense local activities.

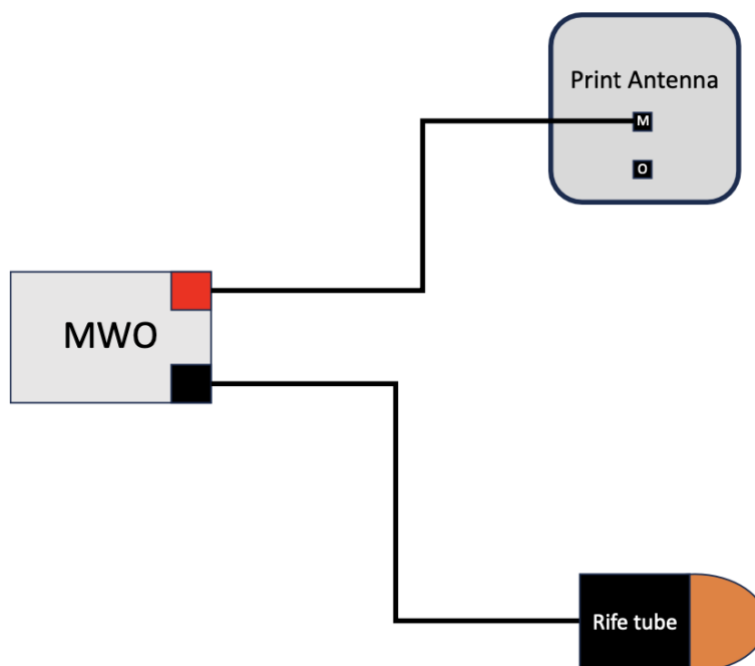
MWO setting: make sure the MWO settings are low, as the sparks coming from the Rife Tube can otherwise be unpleasant.



7.7 Connection option 7

Required:

- MWO
- 1 Rife Tube
- 1 Printplate Antenna
- 1 Cord Set



Effect: connect the MWO to the inner ring (M) of the Printplate Antenna. Also connect the Rife Tube. A strong and powerful but localised energy field is emitted by the Printplate Antenna. The Printplate Antenna makes quite a bit of noise due to sparks igniting between the rings. The Rife Tube can be used where you specifically want frequencies to act on. It is a very powerful setup for intense local activities.

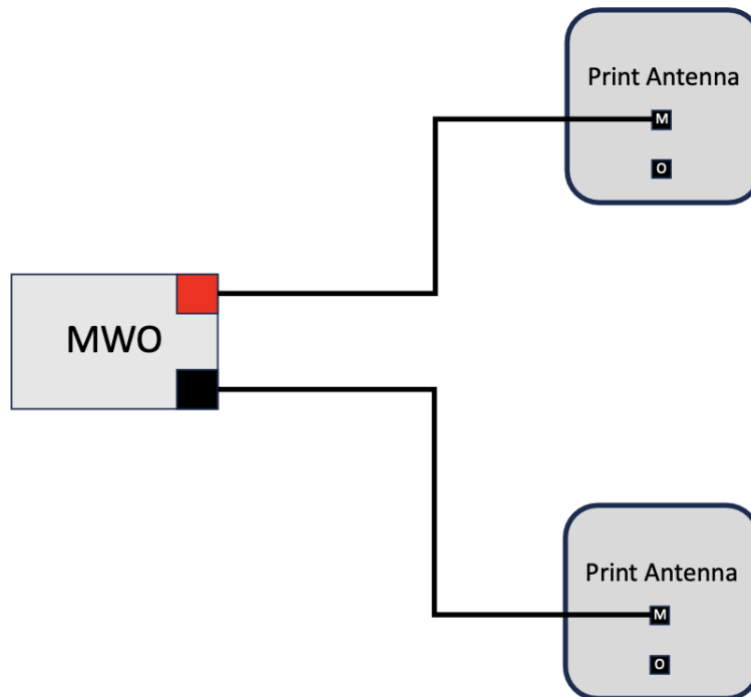
MWO setting: ensure that the MWO settings are low, as the sparks coming from the Rife Tube can otherwise be unpleasant.



7.8 Connection option 8

Required:

- MWO
- 2 Printplate Antennae
- 1 Cord Set



Effect: connect the MWO to the inner ring (M) of the Printplate Antennae. A strong and powerful but localised energy field is emitted by the Printplate Antennae, which you can aim at any part. The Printplate Antennae make quite a bit of noise due to sparks igniting between the rings.

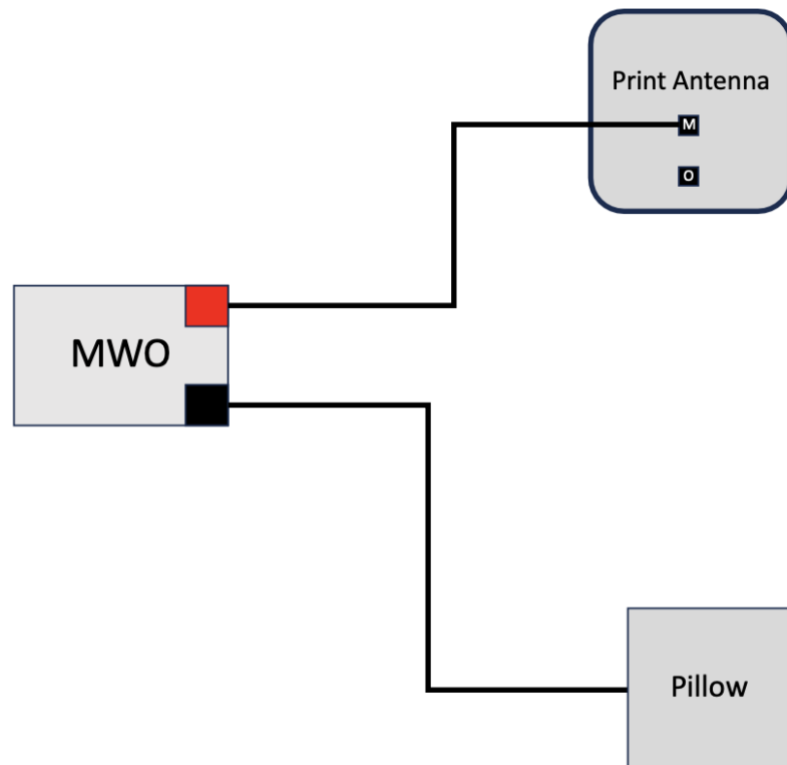
MWO setting: make sure the MWO settings are low, as the noise from the sparks coming from the Printplate Antennae can otherwise be unpleasant, while the performance is no less.



7.9 Connection option 9

Required:

- MWO
- 1 Printplate Antenna
- 1 Cushion
- 1 Cord Set



Effect: connect the MWO to the inner ring (M) of the Printplate Antenna and a cushion. A strong and powerful but localised energy field is emitted by the Printplate Antenna. The Printplate Antenna makes quite a bit of noise due to sparks igniting between the rings. The cushion brings a soft and smooth energy field and has a grounding function.

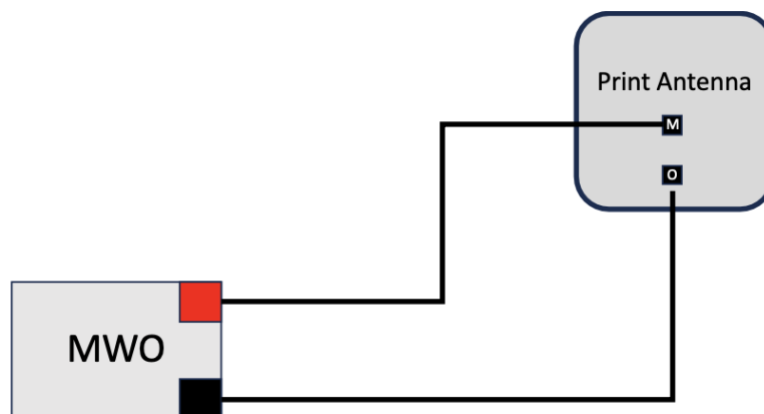
MWO setting: ensure the MWO settings are low, as the sparks coming from the Printplate Antenna can otherwise be unpleasant.



7.10 Connection option 10

Required:

- MWO
- 1 Printplate Antenna
- 1 Cord Set



Effect: connect the MWO to the inner ring (M) and outer ring (O) of a Printplate Antenna. A strong and powerful but localised energy field is emitted by the Printplate Antenna. Since all the energy coming from the MWO goes to one Printplate Antenna, it will be extremely powerful. The Printplate Antenna makes quite a bit of noise due to sparks igniting between the rings.

MWO setting: make sure the MWO settings are low, as the noise of sparks coming from the Printplate Antenna can be unpleasant.



8 Assistance with malfunctions

If MWO accessories stop functioning properly, do not try to repair them yourself but contact Meditech Europe.



9 Decommissioning

Contact Meditech Europe for the disposal and recycling of the MWO accessories. Meditech Europe is happy to accept all products for disposal and recycling in accordance with environmental regulations.

Contact the local authorities if you, the user, wish to dispose of the product yourself.



10 Warranty

Meditech Europe offers a 2-year warranty on MWO accessories.

The warranty is void if work has been done on the product by anyone other than Meditech Europe specialists.

Meditech Europe is not liable for misuse, incorrect use or any damage caused by any use other than that described in this manual.

Service address

Meditech Europe B.V.

Daalder 14

8305 BE Emmeloord

The Netherlands

Tel.: +31 (0)527 292331

www.meditecheurope.nl

info@meditecheurope.nl



11 EC Declaration of Conformity

- Energetic Plate System
- Handle Glass Electrodes
- Cushion
- Rife Tubes
- MWO cords/set of 2
- Unit with silver electrodes

The manufacturer declares that the above products comply with all applicable provisions of:

Low voltage directive 2014/35/EU

RoHS Directive 2011/65/EU & Delegated Directive (EU) 2015/863

In which the following harmonised standards and, where appropriate, technical standards and specifications have been used:

EN 50575:2014

- Antennae
- Printplate Antenna
- Rife Phanotrons

The manufacturer declares that the above products comply with all applicable provisions of:

Low voltage directive 2014/35/EU